



氮气三机一体

Nitrogen Dryer Series

TDN

氮气三机一体 Nitrogen Dryer Series

TDN

● 特点 Features

- 高浓度氮气充满原材料，98%以上，成型合格率提高。
- 美国原装氮气发生器。
- 减少成型时产品黄变，提高产品合格率。
- 原料为全封闭结构，不受外界环境影响。
- 干燥筒在注塑机上方(20kg以下)。
- 延长成型机螺杆碳化时间，减少设备的维护成本。
- 利用日本制压缩空气无热再生原理提供除湿空气。
- 设备为光学级除粉式，日本制高效过滤器，0.3μm X99.99%。
- 封闭循环式氮气输送。
- 超低能耗。
- 多重保护装置。
- 也可去除氮气装置，作为小型除湿干燥机使用(选购项)。

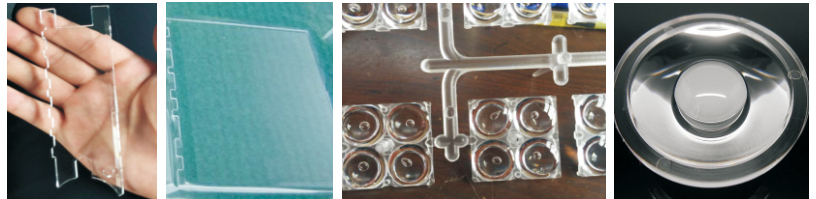
- Be full of high concentration nitrogen, above 98%, improve the qualified of molding.
- American original nitrogen generator.
- Reduce product yellowing during molding, improve the qualified of product.
- Material in whole sealing, not suffer from external environment.
- Dryer hopper installed above injection machine (below 20kg)
- Delaying carbonization time of make-up machine screw, reduce maintenance cost of machine.
- Apply dehumidifying air with compression air heatless regeneration principle from Japan.
- The equipment clean the powder optically.
- Delivery nitrogen in close system.
- Ultralow energy consumption.
- Multiple protect equipment.
- Also it can wipe off nitrogen equipment, use it as dehumidification dryer(option).



洁净环境下生产光学镜头及导光板等原材料的干燥设备。常用于PC、PMMA、COP、COC、PA46、OKP、PPS、PEI (ULTEM)。

Drying equipment that produce lianr and Light Guide Plate in clean environment. Usual be usedfor PC,PMMA,COP,COC,PA46,OKP,PPS,PEI (ULTEM).

● 产品展示(可以使用氮气三机一体) Product exhibit(can use nitrogen dryer series)



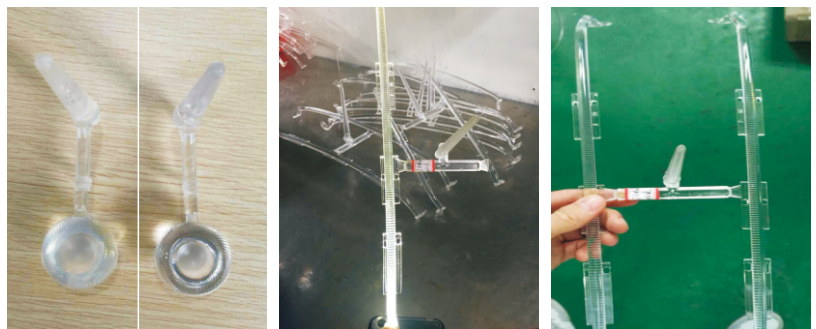
导光板1.5mm厚
LGP 1.5 mm thick

导光板0.2mm厚
LGP 0.2 mm thick

手机镜头透镜
Phone camera Lens

手机镜头透镜(显微镜下检验)
Phone camera Lens (use microscope test)

● 产品展示(使用氮气三机一体对比) Product exhibit(compare with nitrogen dryer series)



LED透镜COC
(普通三机一体)黄变
LED lens COC (general
3 in 1 machine) yellowing

LED透镜COC
(TDN-10)合格
LED lens COC (TDN-10)
qualified

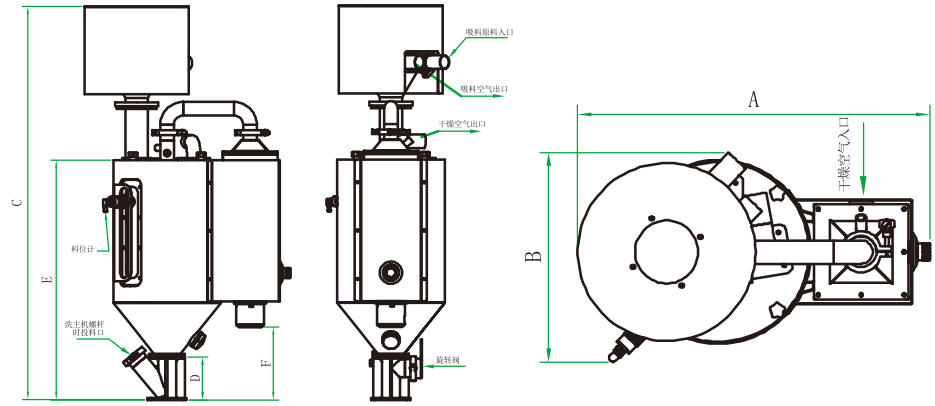
导光条PMMA
(普通三机一体)黄变
LGP PMMA (general 3 in 1 machine) yellowing

导光条PMMA
(TDN-20)合格
LGP PMMA (TDN-20) qualified

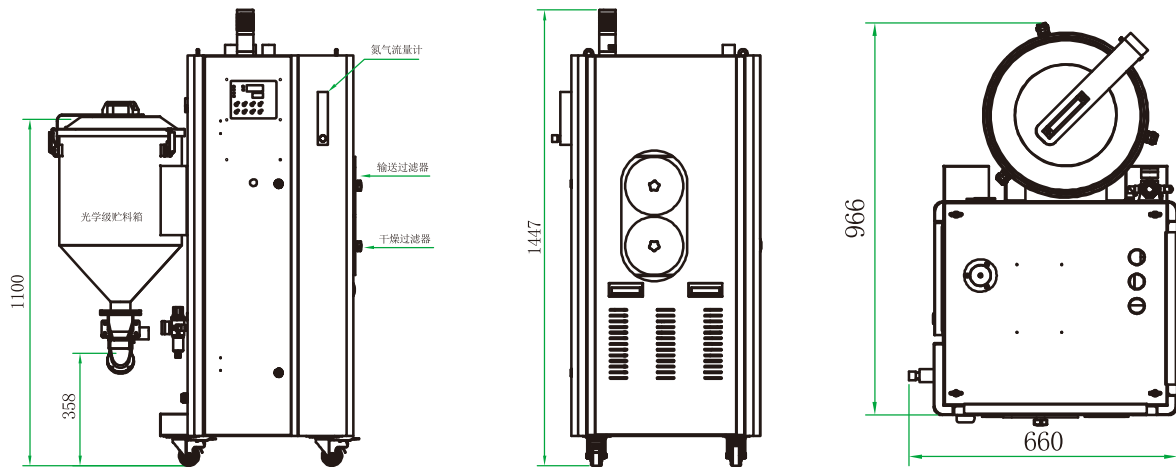
● 产品结构图 Product Structure Diagram

1、干燥桶体 Dryer Hopper

机型Model	TDN-10C	TDN-20C
A(mm)	573	625
B(mm)	341	387
C(mm)	1150	1254
D(mm)	120	120
E(mm)	670	775
F(mm)	203	308



2、三机一体主机 3 in 1 Compact Dehumidifying Dryers



● 规格表 Specification Sheet

产品型号Model		TDN-10C	TDN-20C
装料量(0.6kg/hr) Capacity(0.6kg/hr)	KG	10	20
干燥风量 Dry air capacity	m ³ /hr	20	30
氮气浓度 Concentration	%	98	
干燥温度 Dry temperature	℃	70~160	
干燥风机 Dry blower	KW	0.18	0.18
干燥加热管 Dry heater	KW	1.8	1.8
投料箱体积 Storage volume	Lr	40	
输送风机 Feed blower	KW	1.1	1.1
输送条件 Feed condition		料箱至干燥桶: φ38PVC软管, 水平2米以内 Storage to hopper: φ38PVC hosepipe, 2 m horizontal	
压缩空气条件 Compress air condition		大于0.6mpa*20Lr/min More than 0.6mpa*20Lr/min	
电源380V/50Hz Power380V/50Hz	KW	3.5	3.5

有关产品性质和适用范围的说明并不保证产品属性，仅作可供了解的信息。我们的供货范围及提供的服务完全以合同条款为准绳。技术数据和插图仅作为供货参考。保留更改权利。

Feature and scope of the product does not guarantee the product attributes, only for reference. Our scope of delivery and services provided are based solely on the terms of delivery and services provided are based solely on the terms of the contract. Technical data and illustration are only for reference. We reserve the rights of changing.

TSD-2021-12

广东拓斯达科技股份有限公司

GUANGDONG TOPSTAR TECHNOLOGY CO.,LTD.

地址：广东省东莞市大岭山镇大塘朗创新路2号

ADD : No.2 Chuangxin Road, Datanglang, Dalingshan Town, Dongguan City, Guangdong Province.

电话/TEL: 0769-8305 0999 传真/FAX: 0769-8584 5562

全国统一客服热线 Domestic Service Hotline **400-096-8005**

