



双桶式三机一体

Double hopper 3 in 1 compact dehumidifying dryer

TDA/TDB

双桶式三机一体 Double hopper 3 in 1 compact dehumidifying dryer

**TDA
TDB**

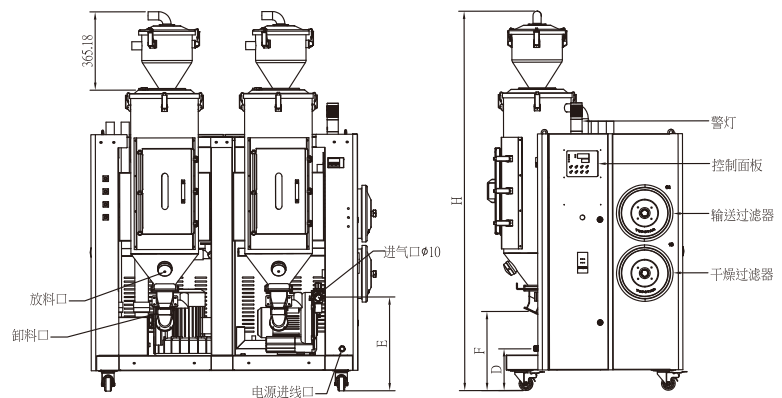
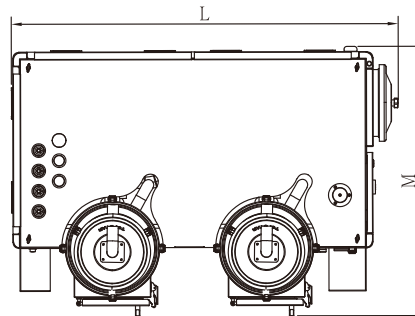


● 特点 Features

- 双桶式三机一体，可同时干燥两种不同的原材料，设定不同的温度。
 - 具备三机一体所有功能
 - 省能源、省空间。
- Double hopper 3 in 1 compact dehumidifying dryer.
 - Has all function of 3 in 1 compact dehumidifying dryer.
 - Saves energy, saves space.

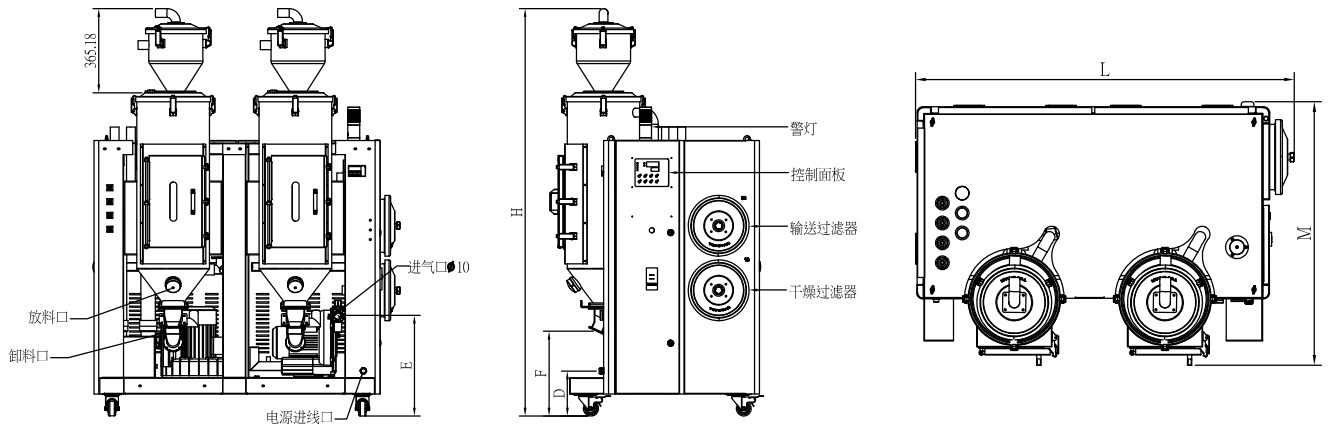
● TDA双桶式三机一体 TDADouble hopper 3 in 1 compact dehumidifying dryer

机型Model	TDA-25DC	TDA-50DC	TDA-75DC	TDA-100DC
L(mm)	1332	1332	1634	1635
M(mm)	927	956	1060	1060
H(mm)	1744	2003	2087	2167
D(mm)	195.5	195.5	195.5	195.5
E(mm)	420	420	420	420
F(mm)	368	350	276	370



● TDB双桶式三机一体 TDBDouble hopper 3 in 1 compact dehumidifying dryer

机型Model	TDB-25DC	TDB-50DC
L(mm)	1332	1332
M(mm)	956	956
H(mm)	1944	1999
D(mm)	195.5	195.5
E(mm)	420	420
F(mm)	350	350



● 规格表 Specification Sheet

产品型号Model	TDA-25DC	TDA-50DC	TDA-75DC	TDA-100DC	TDB-25DC	TDB-50DC	
除湿种类 Dehumidifying type	节能型 Energy saving type				转轮型 Homeycomb rotor type		
风量 Dehumidifying air capacity	m3/hr	35 × 2	50 × 2	80 × 2	100 × 2	35 × 2	
露点 Dew point	℃	提供-40℃压缩空气 Supply -40℃ pressure air				-40℃	
干燥温度 Drying Temperature	℃	70-160℃					
冷却方式 Cool mode		A、B桶温度差小于30度无需接冷却水 The temperature difference between barrels a and b is less than 30 degrees and cooling water is not required.					
干燥电热功率 Drying Heater Capacity	KW	2.5 × 2	3 × 2	3 × 2	4 × 2	2.5 × 2	
干燥风机功率 Drying Blower Capacity	KW	0.7	1.1	1.5	2.2	0.37	
再生电热功率 Regen. Heate Capacity	KW	无NONE			2.5	3	
再生风机功率 Regen Motor Capacity	KW	无NONE			0.18	0.25	
输送风机功率 Conveying Blower Capacity	KW	1.1			2.2	1.1	
系统电源 Power Supply	V	380VAC 3P/PE 50Hz					
控制电源 Control Voltage	V	220VAC 1P/PE 50Hz					
总功率 Total Power	KW	7.8	8.4	10	14.5	9.35	
电源线规格 Wires Specifications	mm2	4 × 2.5		4 × 4	4 × 6	4 × 4	
电源线长度 Wires Length	M	5					
料管口径 Material Pipe Size	inch	1.5					
料斗(成型机上) Hopper Receiver		SR3E-40			SR6E-40	SR3E-40	
机器重量 Weight	KG	283	320	365	380	296	
选配 Option		1.露点显示 Dew-point Indicators 2.旋风分离器 Cyclone Separator 3.中间料位计 Intermediate Level Meter					

注：产品规格若有变更，恕不另行通知。 We reserve right to change specifications without prior notice.

有关产品性质和适用范围的说明并不保证产品属性，仅作可供了解的信息。我们的供货范围及提供的服务完全以合同条款为准绳。技术数据和插图仅作为供货参考。保留更改权利。

Feature and scope of the product does not guarantee the product attributes, only for reference. Our scope of delivery and services provided are based solely on the terms of delivery and services provided are based solely on the terms of the contract. Technical data and illustration are only for reference. We reserve the rights of changing.

TSD-2021-12

广东拓斯达科技股份有限公司

GUANGDONG TOPSTAR TECHNOLOGY CO.,LTD.

地址：广东省东莞市大岭山镇大塘朗创新路2号

ADD : No.2 Chuangxin Road, Datanglang, Dalingshan Town, Dongguan City, Guangdong Province.

电话/TEL: 0769-8305 0999 传真/FAX: 0769-8584 5562

全国统一客服热线 Domestic Service Hotline **400-096-8005**

